

# HOT STAMPING DIES



Swift Silicone is producing individually machined brass hot stamping/embossed tooling, which is highly reproducible. This is ideally suited for small format with multiple-up jobs, such as the HLB cigarettes work.

CNC engraving ensures that the dies and counter dies are interchangeable. The dies

and counter dies can also be reproduced without complication, which are advantageous for large run and repeat orders.

Precision drilled mounting or locating pin holes on embossing dies will enable registration of the embossed image to the printed substrate.



Hot Stamping Cylinders are made of brass and manufactured on high precision CNC engraving machines. These cylinders are also equipped with precise rotational and axial accuracy which ensures consistently high stamping quality. Its precisely defined cutting edges and angle guarantees acute sharpness in printing result.

This is an advantage for large volume runs.

Due to the variety of cylinder systems, Swift Silicone can produce most types of special cylinders in accordance with customers' drawings or sample tools.

# CIGARETTES PRINTING ROLLERS



Cigarettes makers are aware that high quality engraved steel rollers are required to produce the perfect combination of premium grade cigarettes and packaging.

Swift Silicone offers the finest in roller engraving with our dedicated attention to detail, quality and precision workmanship. We are able to engrave a wide variety of steel rollers that are indispensable to cigarette makers. We provide:

- **Engraved Steel Printing Roller** - cigarettes printing and filter tipping.
- **Die-Cut Steel Rollers** - use for cigarettes HL Inner frame.
- **Patterned Rollers** - for patterns embossing onto the cigarette foil wrapper.
- **Engraved Steel Dies** - for marking on cigarettes carton boxes.



Our philosophy has always been continuous commitment to deliver the highest level of quality in engraving and to provide value-added services to our customers.

# FOIL CREASING ROLL

We will be happy to discuss your needs or to provide you with further information.

**Please contact us at:**  
**Swift Silicone Pte Ltd**

30, Loyang Way  
#03-01/02, Loyang Industrial Estate  
Singapore 508769

Tel : (65) 6546 0400  
Fax : (65) 6546 0500

Email: [swift@swiftsilicone.com](mailto:swift@swiftsilicone.com)  
Website: <http://www.swiftsilicone.com>

**SWIFT**  
S I L I C O N E

**The Engravers with  
a Promise of High Precision,  
Superior Quality and  
Service Excellence.**

**SWIFT SILICONE,**  
a specialist in hot stamping products and engraving services for over two decades, has grown into an international supplier reputed for its excellent services and high quality products.

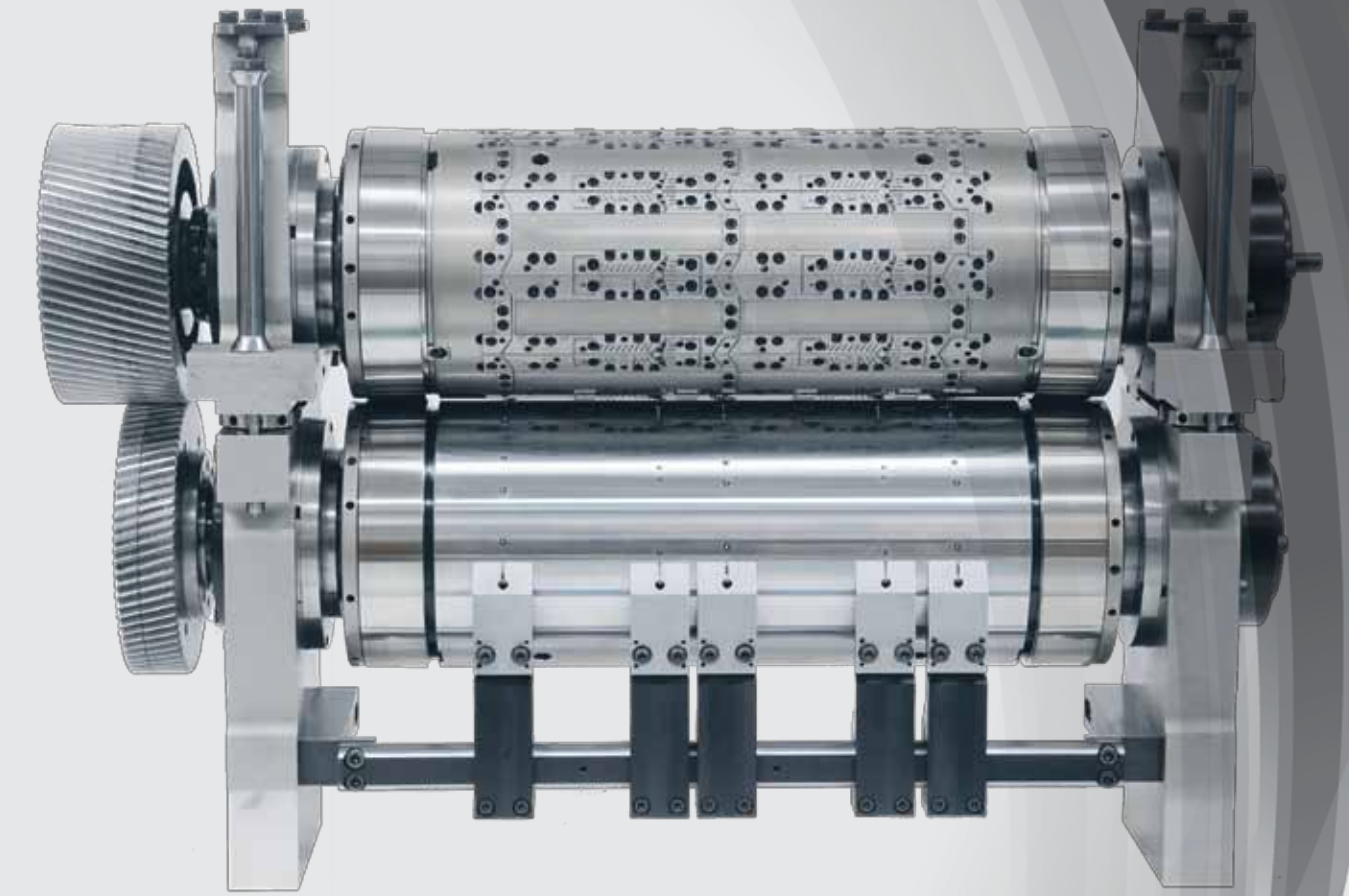
# ROTARY TOOLS

Swift Silicone is the supplier of engineered rotary tools for Embossing, Creasing and Cutting to major global brands and converters around the world.

At Swift Silicone, we have delivered top quality products and services that have benefited and met our customers' needs throughout the past decade. With more demanding requirements and challenges ahead, we have proved over time that with our experience and expertise, we have become one of the top leading hot stamping and engraving services provider in the region.



We produce engraved cylinder for Rotary Embossing, Creasing and Cutting including cassettes, bearing block and gears.



Swift Silicone invests consistently in modern machinery and advanced Cad/Cam systems to handle complex design and machining task with speed, accuracy and reliability to meet the requirement of our customers.



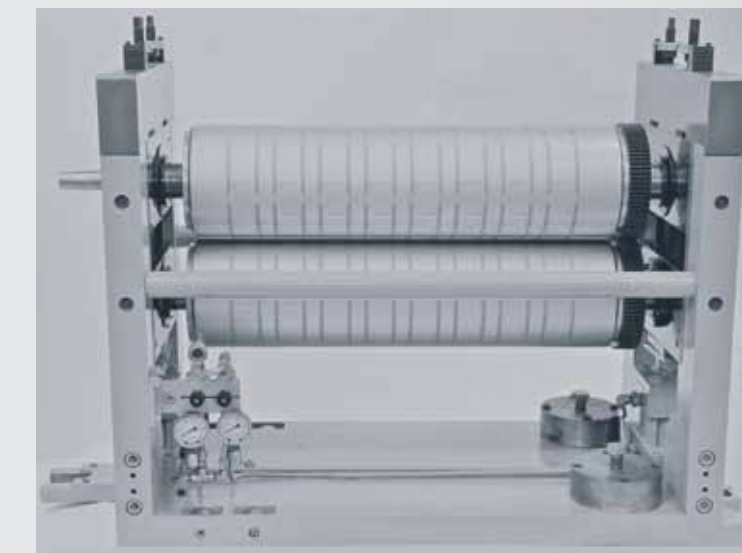
The mechanical engraved rotary tools are available in solid or segmented execution.

Segmented tools offer the following advantages:

- Independent adjustment for optimal result.
- Easy replacement of damaged segments and offers the flexibility of design changes without remarking tool.
- Incorporate segment with special wear resistant steels to prolong tool life.



Our rotary tools are widely used in the tobacco packaging industry for the production of HL cigarette boxes, display cartons and inner frames, foil, paper etc.



## Repair and Reconditioning of Rotary Tools

Swift has the expertise to repair and re-condition all types of rotary tools – embossing, creasing and cutting equipment. Our cylinder reconditioning services involves repairs to damaged embossing elements, sharpening and repairs to damaged segments, recoating of the anvil roll and precision grinding of cylinders.